

## SAFE

Fast and efficient covering of even the most difficult loads safely from ground level.



## SIMPLE

Installation takes just 24 man hours. The framework hydraulically extends sideways and reaches up/ over the load using levers (or remote control) to sit on the rear of the container, a spring in the roller extends/ retracts the tarp.



## FAST

Covers in just 30 seconds!



### Strong

Steel construction using proven spring retracting roller.



Rip resistant mesh or net options



Low profile & within width

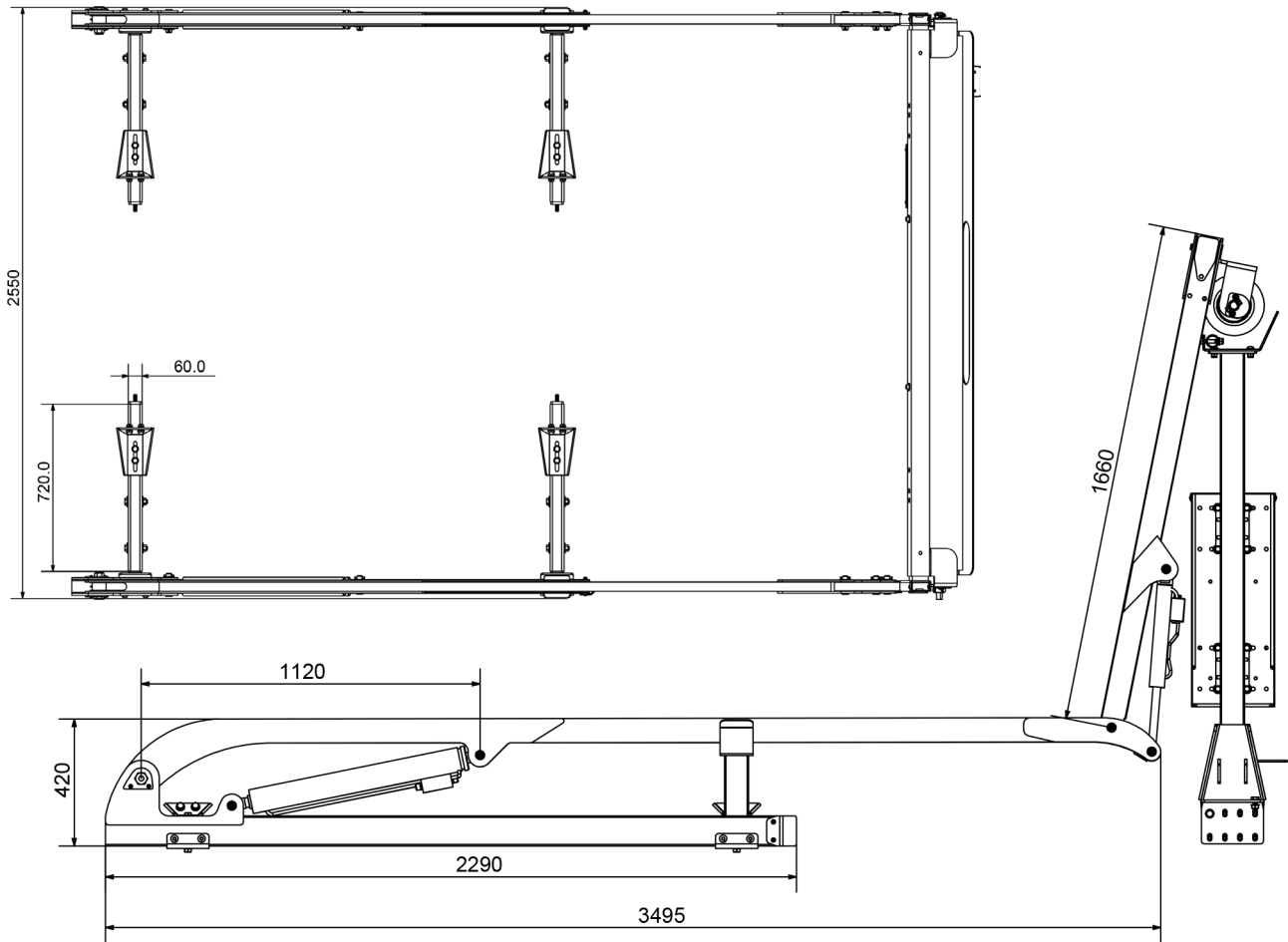


Warranty  
See reverse for details



MANUFACTURED BY TRANSCOVER





## SYSTEM SPECIFICATIONS

### Versions available

Hydraulic Wireless Remote  
Hydraulic Dual-Lever Control

### Body

CHEM and DIN standard versions (up to 7m)  
CHEM and DIN standard Containers

### Weight

475kg

### Tarps

Duramesh  
Supermesh  
Powermesh  
Style Standard / Side-Flaps / X-Span

### Warranty

1 year warranty

