

transcover
we've got it covered!



AutoCover

INSTALLATION

tel: +44 (0)1622 792006

| sales@transcover.com

| www.transcover.com

CONTENTS

TABLE DES MATIÈRES | INHALT



Introduction	1
Safety Symbols	2
Checklist	3
Hoses	5
Safety Sticker Placement	6
Install	
- Data Sheet	7
- Mounting the Outriggers	8
- Installing Base Arms	9
- Installing Large Cylinders	10
- Installing Lower Arms	11
- Installing Small Cylinders	12
- Installing Upper Arms	13
- Installing Rollerbar	14
- Installing Crossbar	15
- Installing Headboard	16
- Installing Sheet Pole	17
- Installing Sheet	18
- Installing Hoses	19
Operation	21
Maintenance	
- Maintenance Checklist	22
- Changing Tarpaulin	23
Fault Diagnosis	24
Warranty	25

INTRODUCTION

INTRODUCTION | EINFÜHRUNG



Thank you for purchasing a Transcover ground level covering system. It has been designed and manufactured by Transcover to provide years of trouble-free operation.

Please read and understand this Installation Manual before installing your AutoCover. Correct installation is a requirement for correct operation. Please pay particular attention to the stability of the installation and to the safety indication symbols in the document.



Nous vous remercions d'avoir acheté un système de couverture de niveau de Transcover. Il a été conçu et fabriqué par Transcover pour fournir des années de fonctionnement sans problème.

Veillez lire et comprendre ce manuel d'installation avant d'installer votre AutoCover. Une installation correcte est une exigence pour un fonctionnement correct. Veuillez noter une attention particulière à la stabilité de l'installation et aux symboles d'indication de sécurité dans le document.



Vielen Dank für den Kauf eines Transcover Bodenniveau Abdecksystem. Es wurde von Transcover entworfen und hergestellt, um jahrelang einen störungsfreien Betrieb zu bieten.

Bitte lesen und verstehen Sie diese Installationsanleitung, bevor Sie Ihr AutoCover installieren. Die korrekte Installation ist eine Voraussetzung für einen korrekten Betrieb. Bitte beachten Sie die Stabilität der Anlage und die Sicherheitshinweise im Dokument.

SYMBOL GUIDE



- Wear Head Protection
- Port du casque de sécurité obligatoire
- Kopfschutz tragen



- Wear safety goggles
- Porter des lunettes de sécurité
- Schutzbrille tragen



- Wear High Visibility Clothing
- Porter des vêtements à haute visibilité
- Warnkleidung tragen



- Wear Protective Gloves
- Porter des gants de protection
- Schutzhandschuhe tragen



- Crush hazard, keep hands clear of moving parts
- Danger d'écrasement. Rester à l'écart des pièces en mouvement
- Quetschgefahr. Halten Sie sich von beweglichen Teilen fern



- Requires 2 persons
- Nécessite deux personnes
- Benötigt zwei Personen



- Keep hands free of moving parts
- Risque de pincement. Rester à l'écart des pièces en mouvement
- Einklemmgefahr. Halten Sie sich von beweglichen Teilen fern



- Do NOT operate in high winds
- Ne pas faire fonctionner en cas de vents violents
- Nicht bei starkem Wind bedienen



- Falling object hazard
- Se méfier des chutes d'objets
- Achten Sie auf fallende Gegenstände



- Do NOT climb
- Ne pas monter
- Nicht klettern



- Beware of overhead power cables
- Se méfier des câbles aériens
- Achten Sie auf Oberleitungen



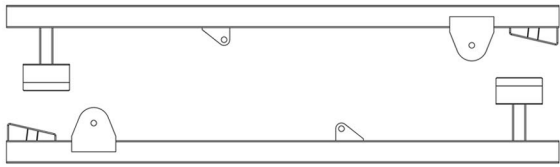
- Caution, can cause injury
- Attention, peut causer des dommages
- Vorsicht, kann Schäden verursachen



- Use lifting equipment
- Utiliser un équipement de levage
- Verwenden Sie Hebezeuge

PARTS CHECKLIST 1/2

Please check that you have all the parts required to complete the installation. In the unlikely event you are missing any parts, call us on **01622 792006** as soon as possible.

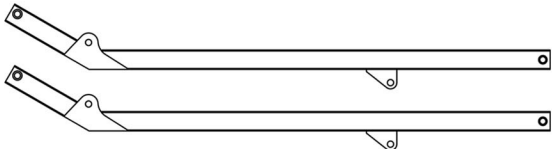


AC LH Base Arm
CODE: AC-LBARM-01 x 1

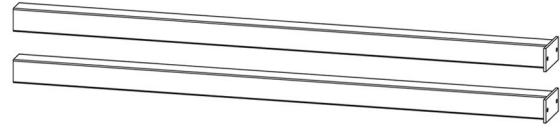
AC RH Base Arm
CODE: AC-RBARM-01 x 1



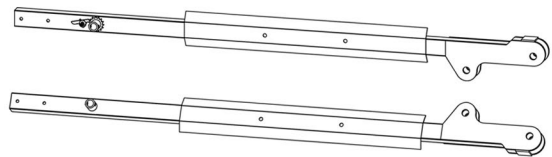
AC Crossbar
CODE: AC-CB-01 x 1



AC Lower Arm
CODE: AC-LARM-01 x 2



AC Headboard Leg
CODE: AC-HBLEG-01 x 2



AC LH Upper Arm
CODE: AC-LUARM-01 x 1

AC RH Upper Arm
CODE: AC-RUARM-01 x 1



AC Headboard
CODE: AC-HB-01 x 1



AC Roller Bar
CODE: U-ROLLER-01 x 1



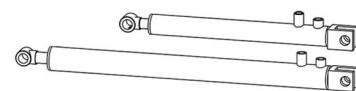
AC Sheet Pole
CODE: AC-SHP-01 x 1



AC Outrigger
CODE: AC-OTRIG-01 x 4



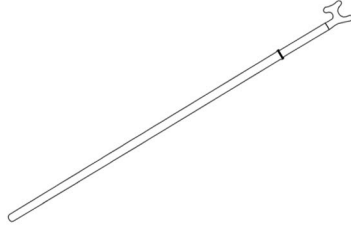
AC Valve Rest
CODE: AC-VRST-01 x 1



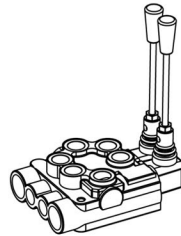
AC Small Cylinder
CODE: U-HCYL-02 x 2

AC Large Cylinder
CODE: U-HCYL-01 x 2

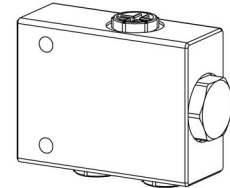
PARTS CHECKLIST 2/2



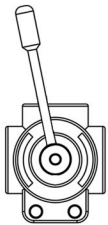
Boat Hook
CODE: U-EXTH-01 x 1



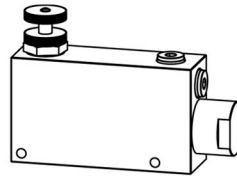
Valve - Double Lever
CODE: U-HVC-02 x 1



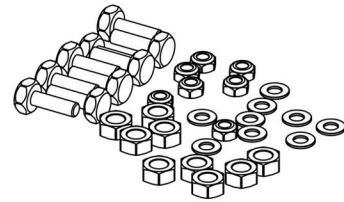
Valve - Flow Divider
CODE: U-HVS-01 x 2



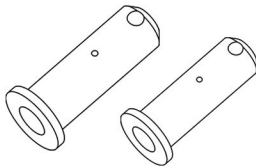
Valve - Flow Diverter
CODE: U-HVD-01 x 1



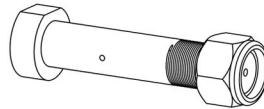
Valve - Flow Control
CODE: U-HVFC-01 x 1



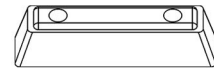
Bolt Kit
CODE: AC-BOLT-01 x 1



70mm Arm Pin
CODE: U-PIN-01 x 4



AC Pivot Bolt
CODE: AC-PBOLT-01 x 2

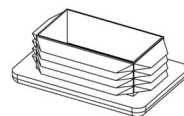


AC Rubber Buffer
CODE: U-BUFF-05 x 4

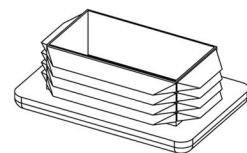
76mm Arm Pin
CODE: U-PIN-02 x 6



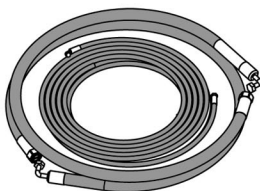
Crank Handle
CODE: U-ROLLER-01 x 1



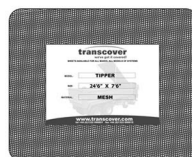
Small Arm Cap
CODE: AC-CAP-01 x 2



Large Arm Cap
CODE: AC-CAP-02 x 2



AC Hose Kit & Fittings
CODE: AC-HHK-01 x 1



AC Tarp x 1














Stickers, Manual & Serial x 1

HOSE KIT

HOSES

	1/4" HOSE 10MTR LONG WITH 90 DEGREE SWEPT CRIMP FITTING 1 END	TRAN-AC1-001	4
	1/4" HOSE 5.5MTR LONG WITH 90 DEGREE SWEPT CRIMP FITTING 1 END	TRAN-AC1-002	4
	1/4" HOSE 2MTR LONG WITH 90 DEGREE SWEPT CRIMP FITTING 1 END & STRAIGHT OTHER	TRAN-AC1-003	5
	3/8" HOSE 2MTR LONG WITH 90 DEGREE SWEPT CRIMP FITTING 1 END & STRAIGHT OTHER	TRAN-AC1-005	1
	1" HOSE 2.3MTR LONG WITH 90 DEGREE SWEPT CRIMP FITTING 1 END & STRAIGHT OTHER	TRAN-AC1-006	1
	3/4"HOSE 2.3MTR LONG WITH 90 DEGREE SWEPT CRIMP FITTING 1 END & STRAIGHT OTHER	TRAN-AC1-004	2

FITTINGS

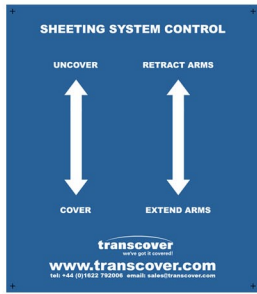
	1/4" TO 3/4" MALE / MALE ADAPTOR	1		3/8 " DOWTY WASHERS	20
	3/4" TO 3/4" MALE ADAPTOR	1		1" DOWTY WASHER	3
	1/4" TO 3/8" MALE ADAPTOR	19		3/4" DOWTY WASHER	4
	3/8" TO 3/8" MALE / MALE ADAPTOR	1		1" TO 1" ADAPTOR & DOWTY	1
	3/4" TO 1" MALE / MALE ADAPTOR	4		TWIN HOSE CLAMPS FOR 1/4" HOSE	10
	1/4" TO 1/4" TO 1/4" MALE / MALE / MALE T PIECE	2		1" FEMALE / FEMALE / MALE T-PIECE BSP	1
	1/4" RE-USABLE FITTINGS	8		1" TO 3/8" MALE / MALE ADAPTER	2
	3/4" 90 DEGREE SWEPT ADAPTOR MALE / FEMALE	1			

STICKER PLACEMENT

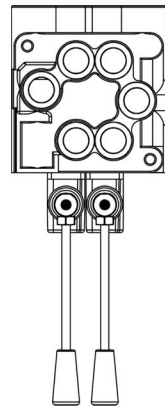
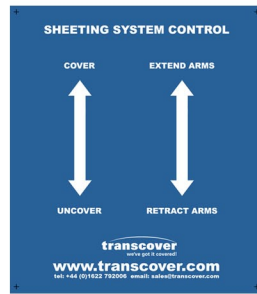
ROLLERBAR



CONTROL VALVE

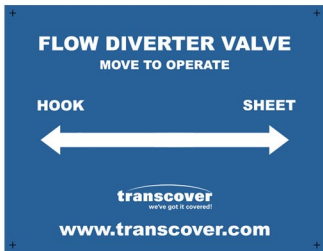


OR

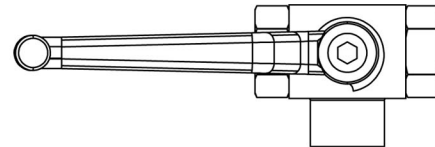
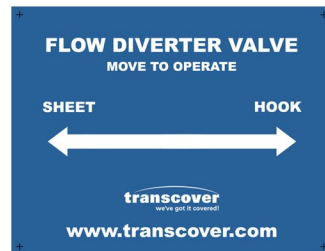


Mount applicable sticker on a suitable surface close to the control handles

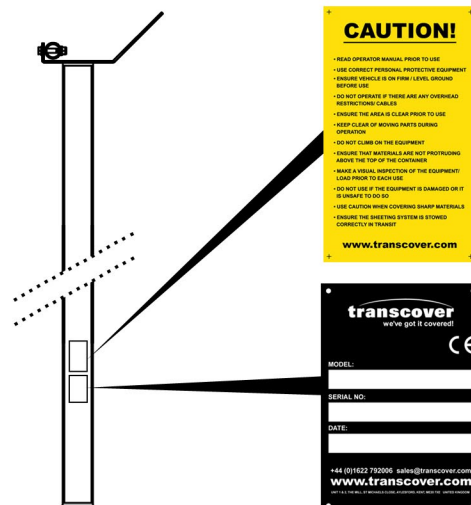
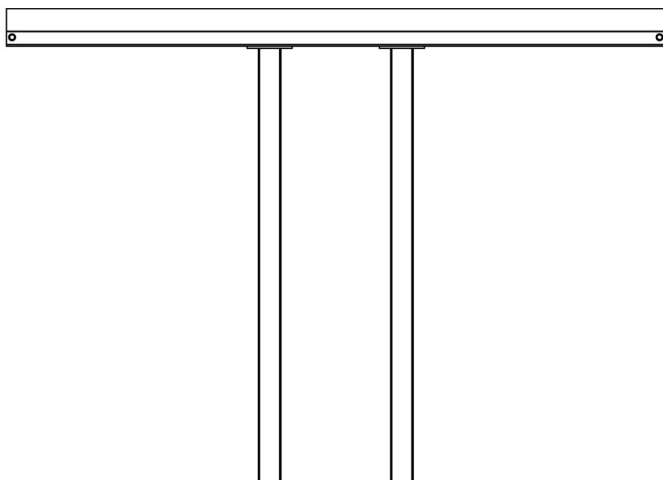
DIVERTER VALVE



OR

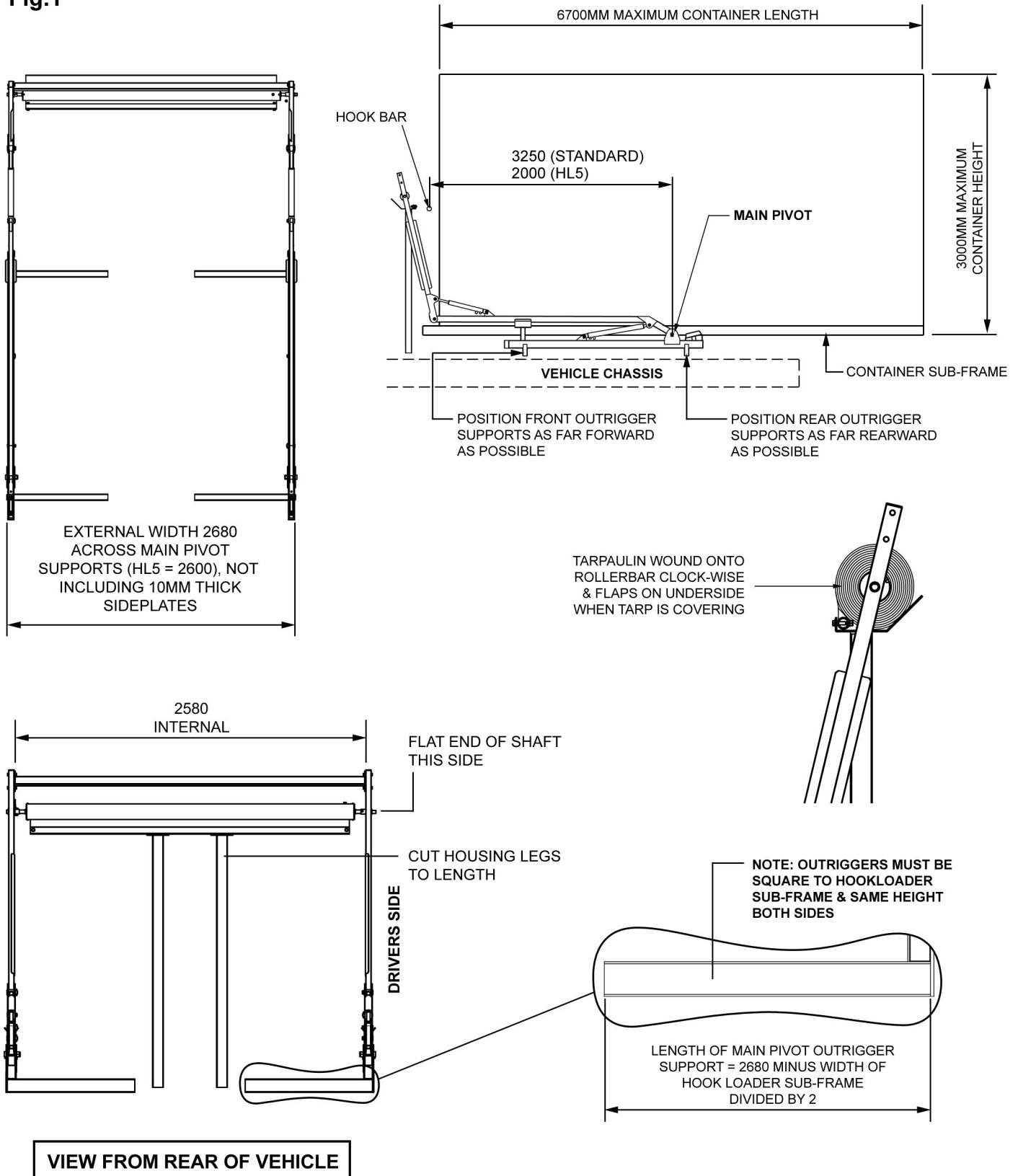


HEADBOARD LEG



DATA SHEET

Fig.1

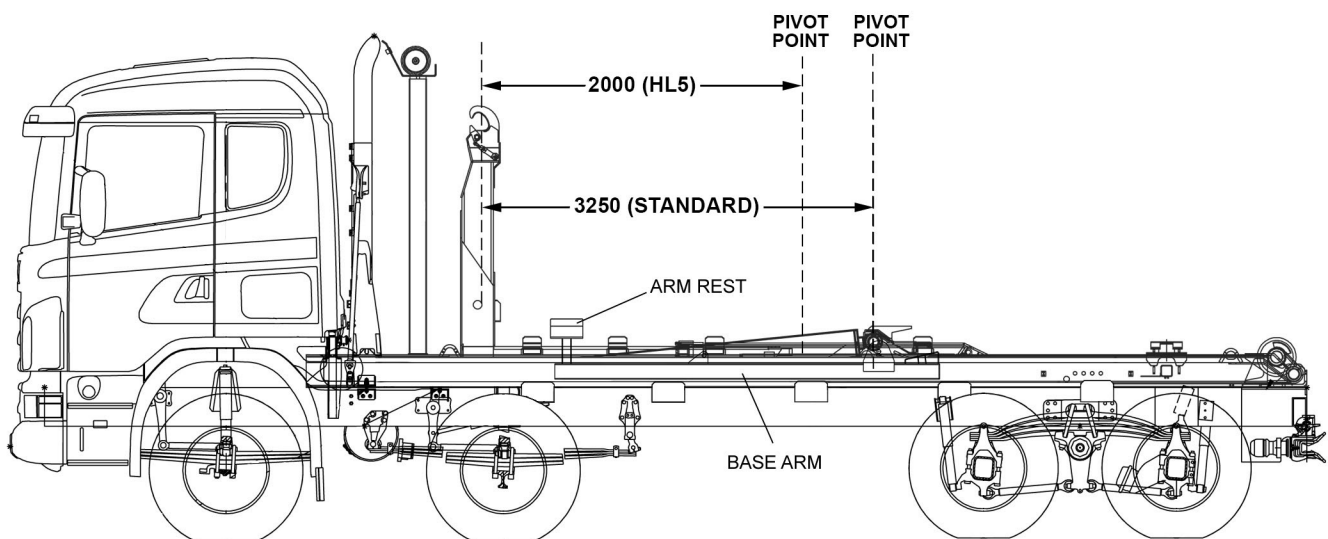


MOUNTING THE OUTRIGGERS

The following are guidelines to consider when looking to attach the outriggers to the hook equipment subframe.

- The rear outrigger should be within close proximity of the pivot point.
- The front outrigger should be as close to the arm rest as possible.
- All outriggers should be mounted lower than the rail / feet the container will rest on.
- All outriggers should be welded to an appropriate area along the subframe as necessary
- All outriggers should be parallel to one another and square to the hook equipment subframe.
- Find the outriggers and cut to suit the hookloader subframe (**Fig 1**).
- Position the outriggers so they are the same height both sides and square to the chassis.
- Tack the outrigger onto the subframe and position the base arm. Ensure that the outriggers and base arms are parallel with the chassis and that the main pivot bolts are aligned with each other both sides. Then weld fully and fit additional supports where required (not supplied).
- Check the external width of the outriggers. This should be 2680mm.

NOTE: The 2580 internal and 2680mm external measurements are based on a standard truck installation. Should the installation be for a drawbar trailer working from rear to front, please order the trailer version of the AutoCover and allow an additional 130mm to each of these measurements to allow for the travel past extruding rear hinges.

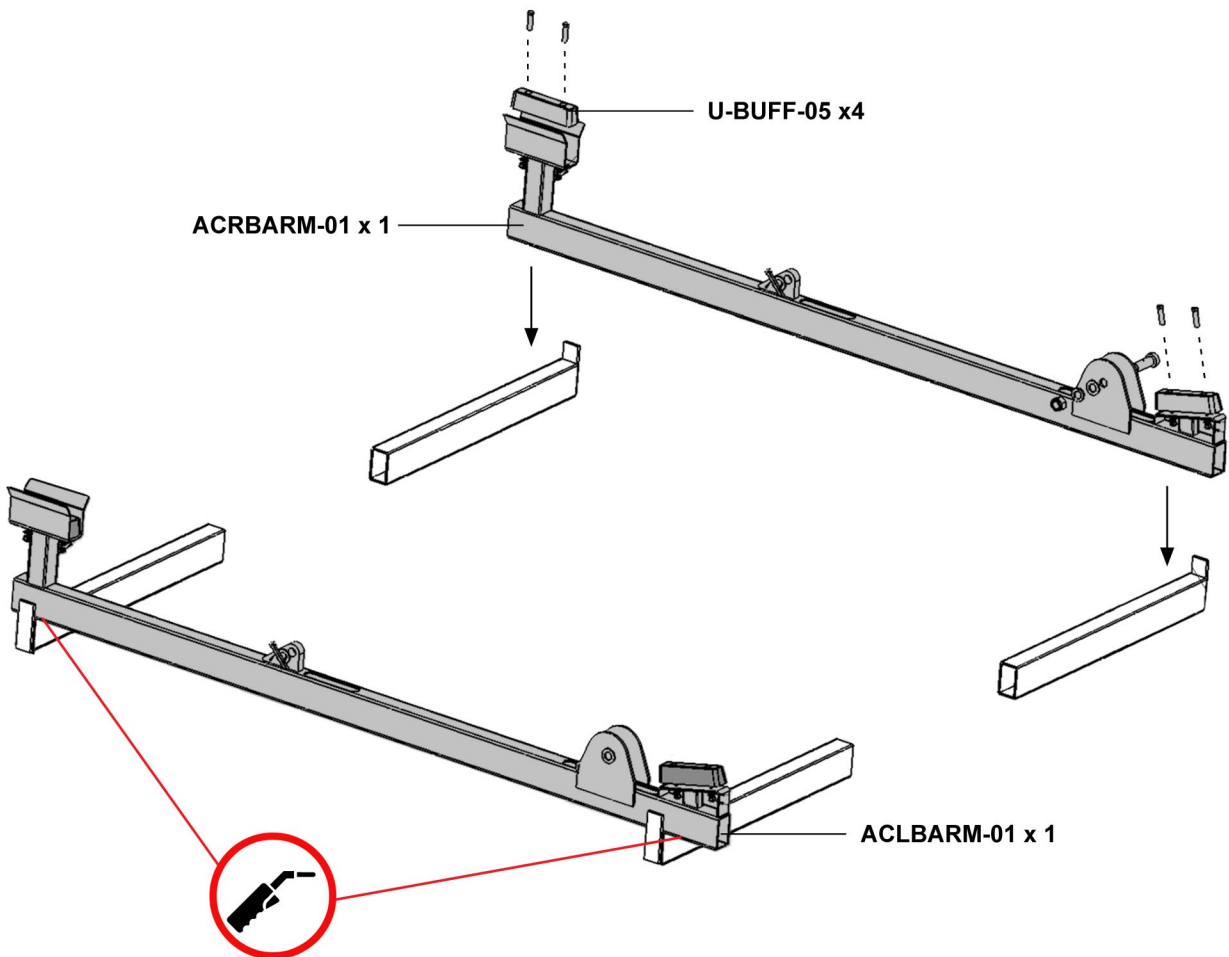


INSTALLING THE BASE ARMS



- Position base arms on outriggers. Check measurement from centre of hook to pivot point. (Fig 2.)
- Square base arm to outrigger and check measurements are correct.
- Weld in to place.

Fig.2



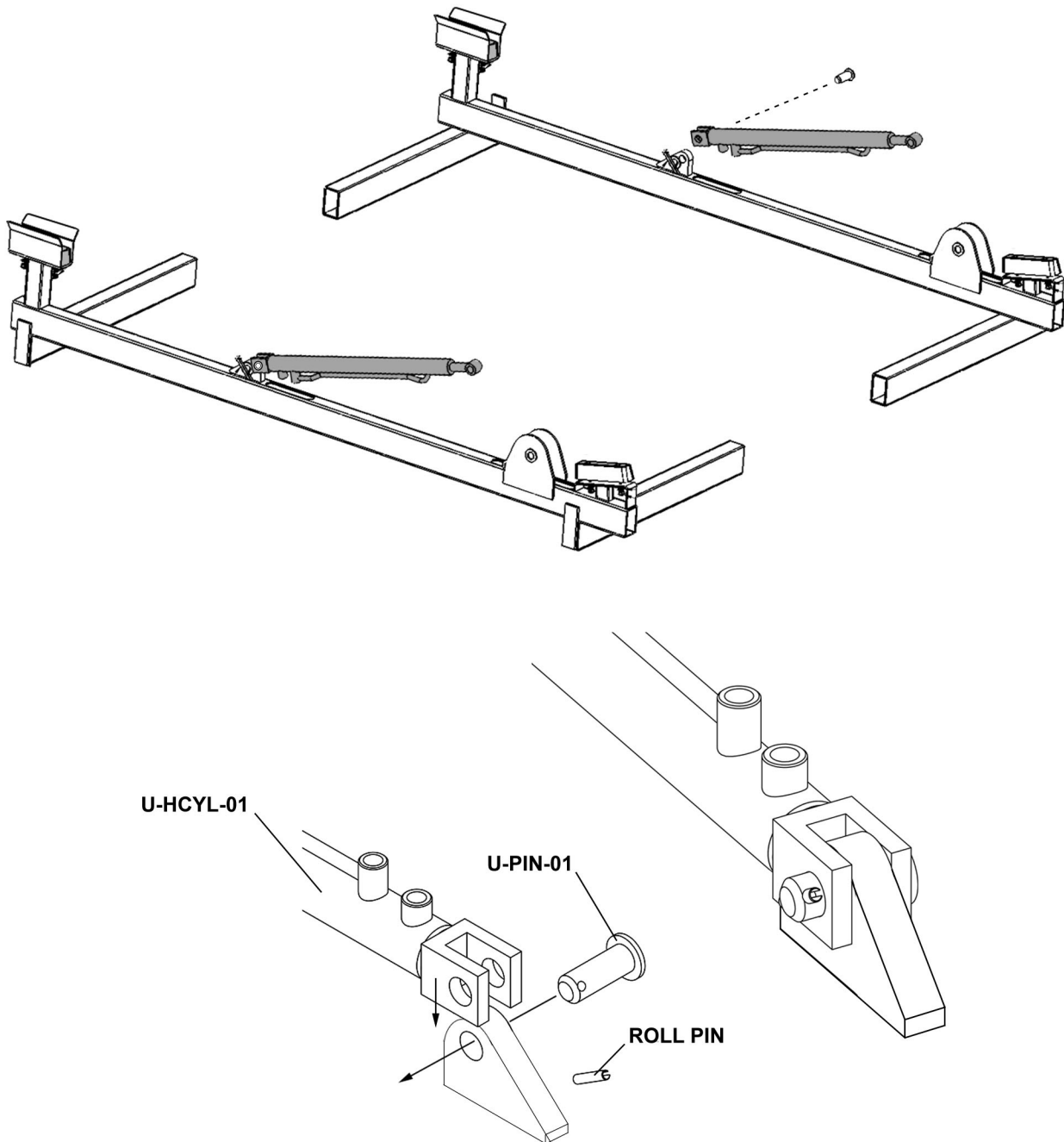
INSTALLING THE LARGE CYLINDERS



- Taking the large cylinders, locate hole on the fork end of the cylinder.
- Secure in position with short pivot pin provided.

Note: Attach the hoses during installation of the cylinders as fitting after will prove problematic. See Fig 17 for instructions.

Fig.3

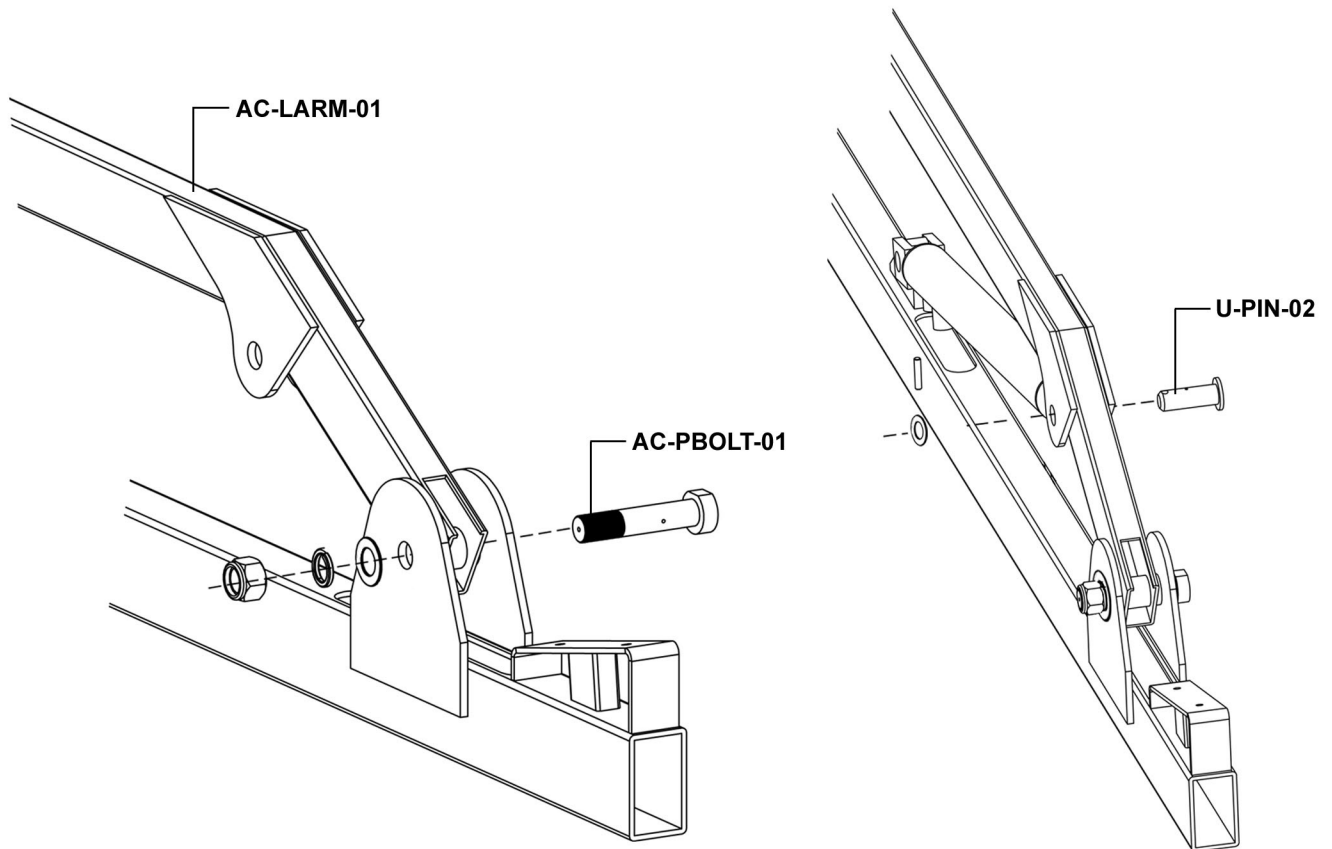


INSTALLING THE LOWER ARMS



- Select the lower arms from the kit.
- Position one end on the rest and slide pivot bolt through base arm and lower arm (**Fig.4**).
- Attach the large cylinder using the long pivot pins.

Fig.4



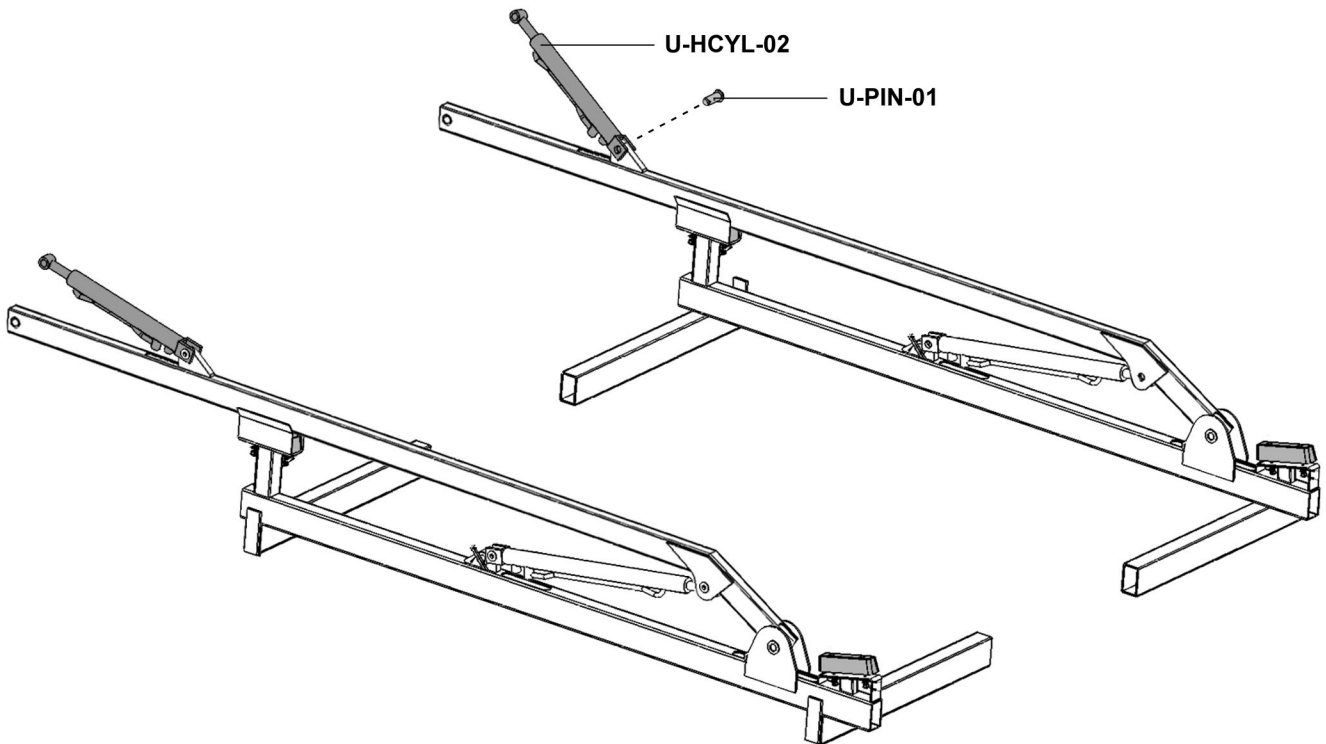
INSTALLING THE SMALL CYLINDERS



- Taking the small cylinders, locate bolt holes on lower arms as shown in **Fig 5**.
- Secure in position with mount pins provided.

Note: Attach the hoses during installation of the cylinders as fitting after will prove problematic. See **STEP 15** for instructions.

Fig.5



INSTALLING THE UPPER ARMS



- Take either of the upper arms and locate the corresponding hole at the end of the lower arm (**Fig.6**).
- Secure in position with pin provided.
- Using the pivot, move towards the cylinder offering it into position to locate the corresponding hole.
- Secure in position with pin provided.

Note: Ensure the ratcheted arm is on the correct side (see Fig 7).

Fig.6

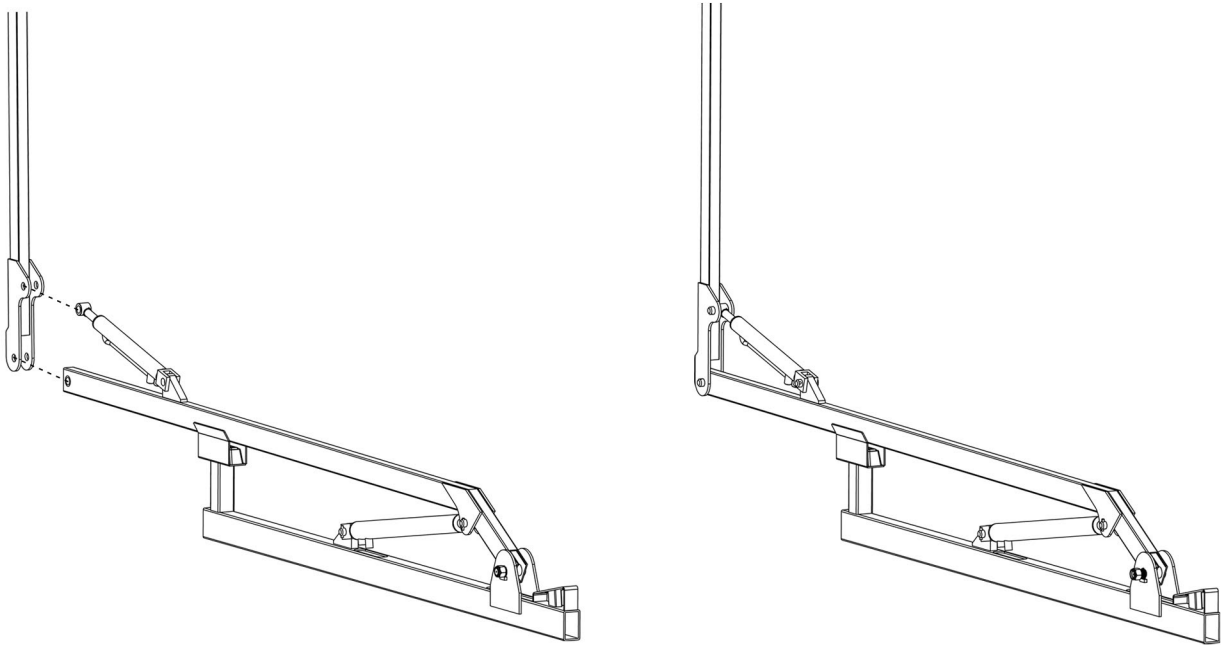
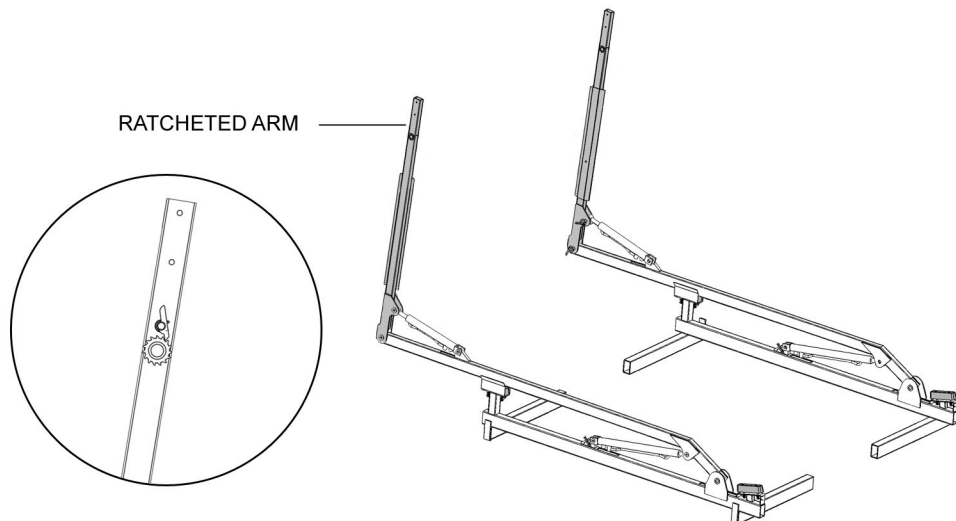


Fig.7

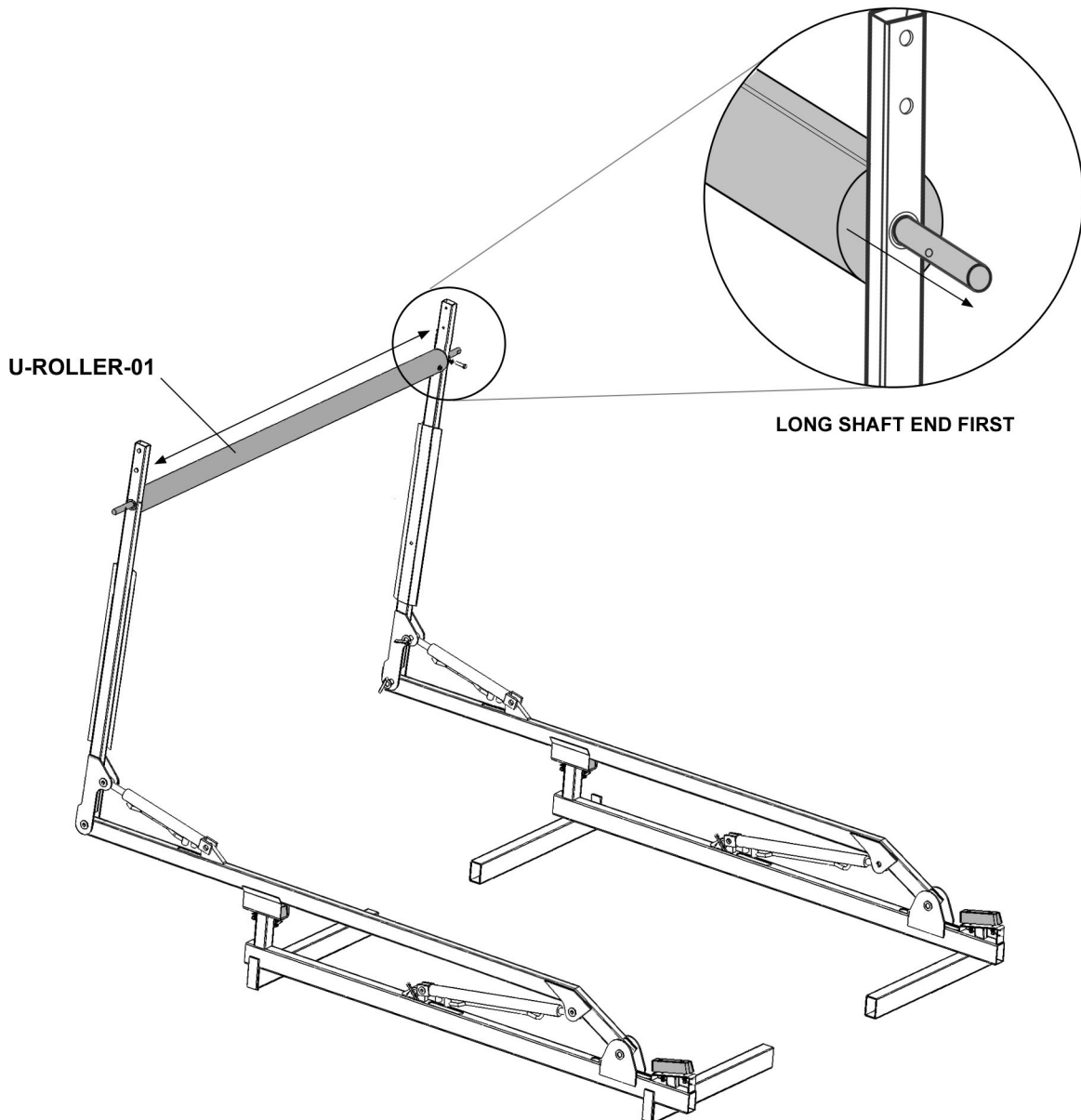


INSTALLING THE ROLLERBAR



- Take the rollerbar and insert the bolt end into the corresponding hole on the right hand upper arm.
- With the longer shaft in place, locate the hole in the left hand arm and slide the shaft into position.
- Secure the rollerbar with M10 x 50 bolts provided.

Fig.8

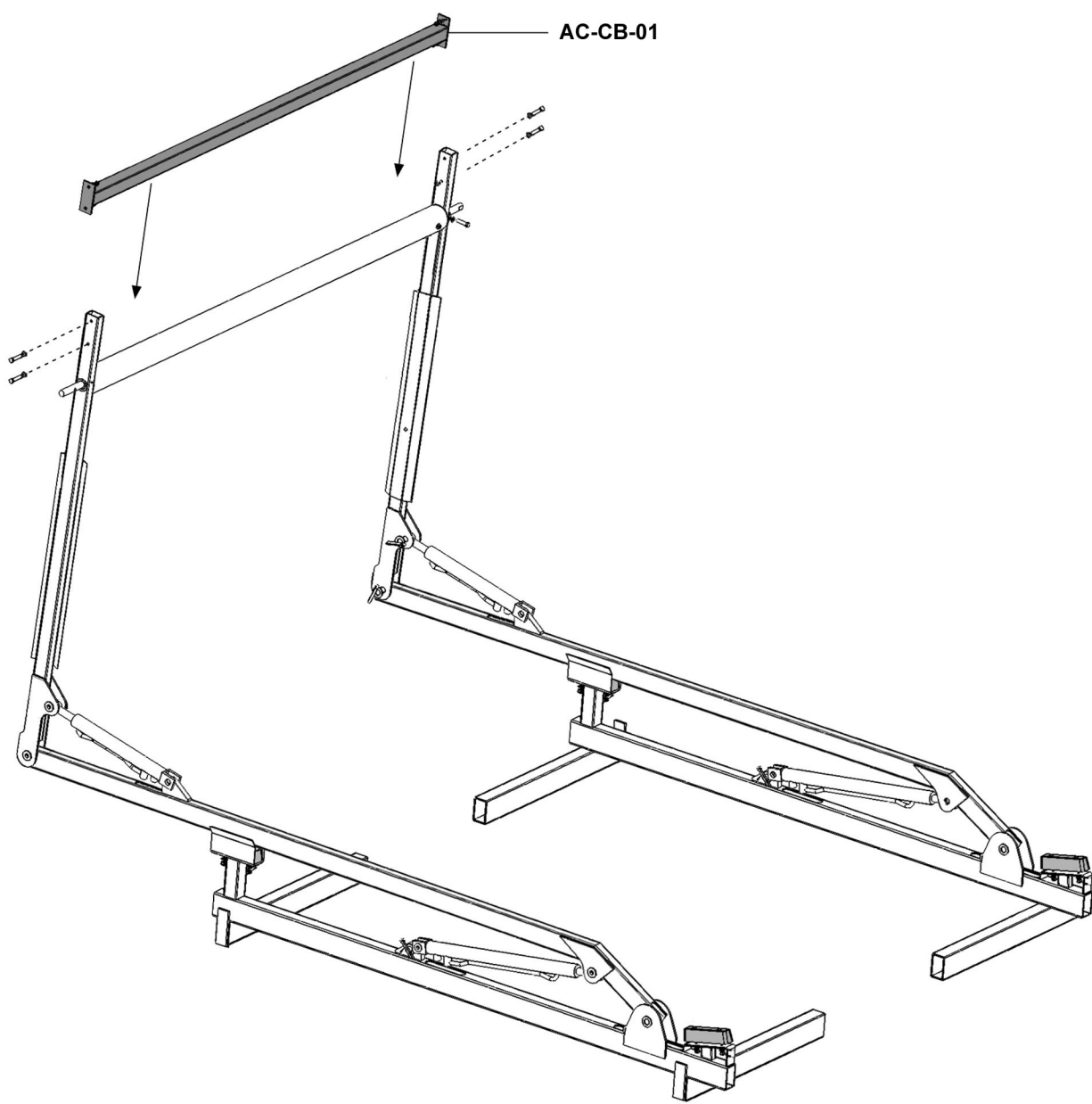


INSTALLING THE CROSSBAR



- Taking the crossbar, locate the 4 holes on the upper arms above the rollerbar.
- Using the M10 x 60 bolts provided, secure in position.

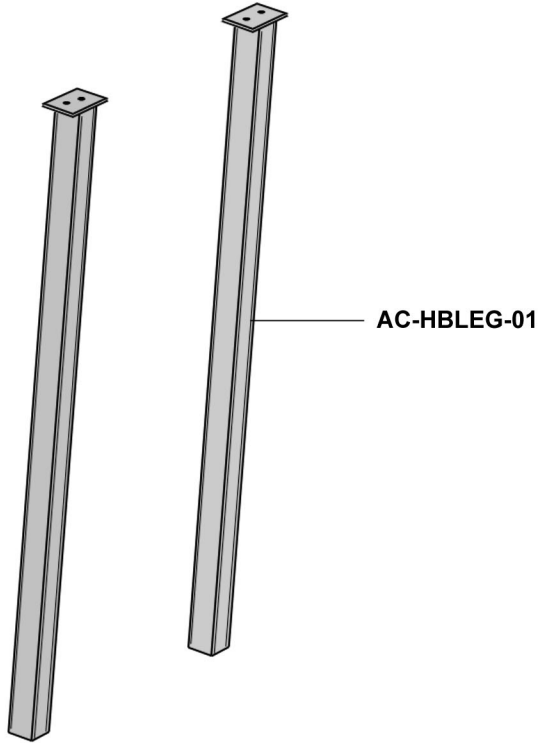
Fig.9



INSTALLING THE HEADBOARD LEGS



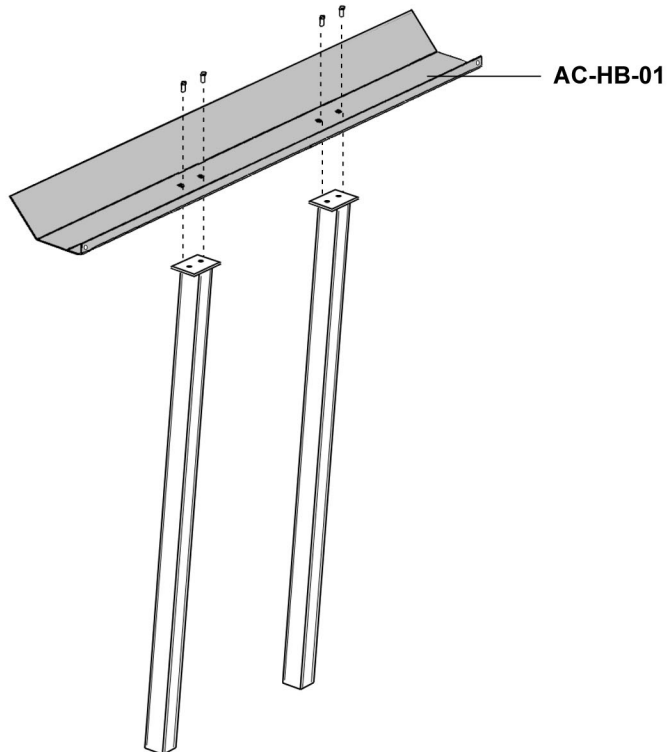
Fig.10



INSTALLING THE HEADBOARD



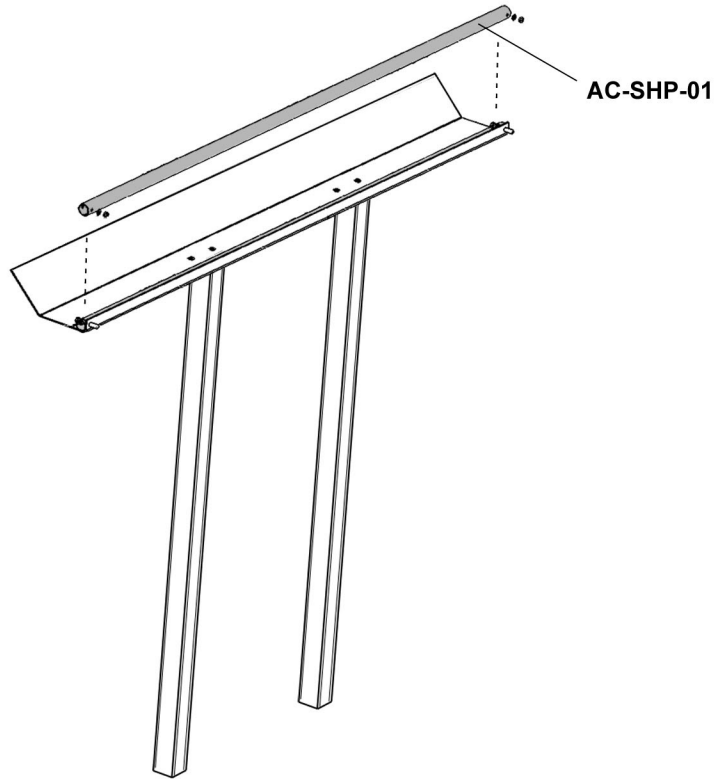
Fig.11



INSTALLING THE SHEET

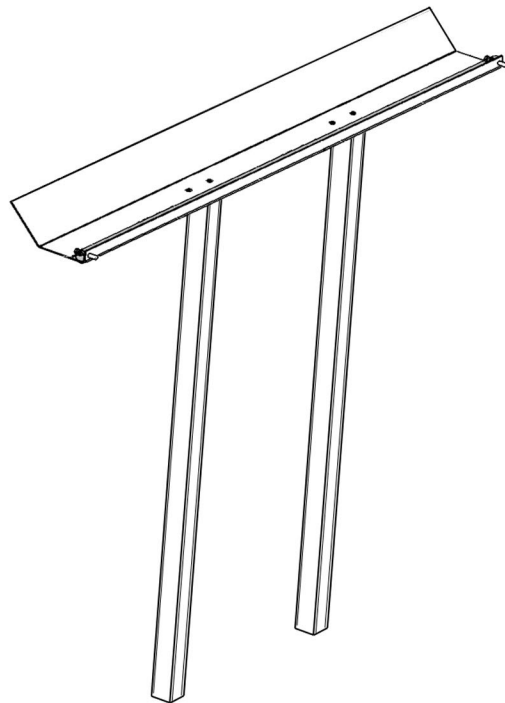


Fig.12



INSTALLING THE SHEET POLE

Fig.13



INSTALLING THE SHEET



- Pick up the kader end of the sheet provided ensuring that the flaps are facing downward. Locate the quickslide recess on the rollerbar and slide the kader onto the rollerbar until sheet is evenly spaced from the ends. **Fig 14.**
- Tension sheet using crank handle provided.

Note: Attach the hoses during installation of the cylinders as fitting after will prove problematic. See **STEP 15** for instructions.

Fig.14

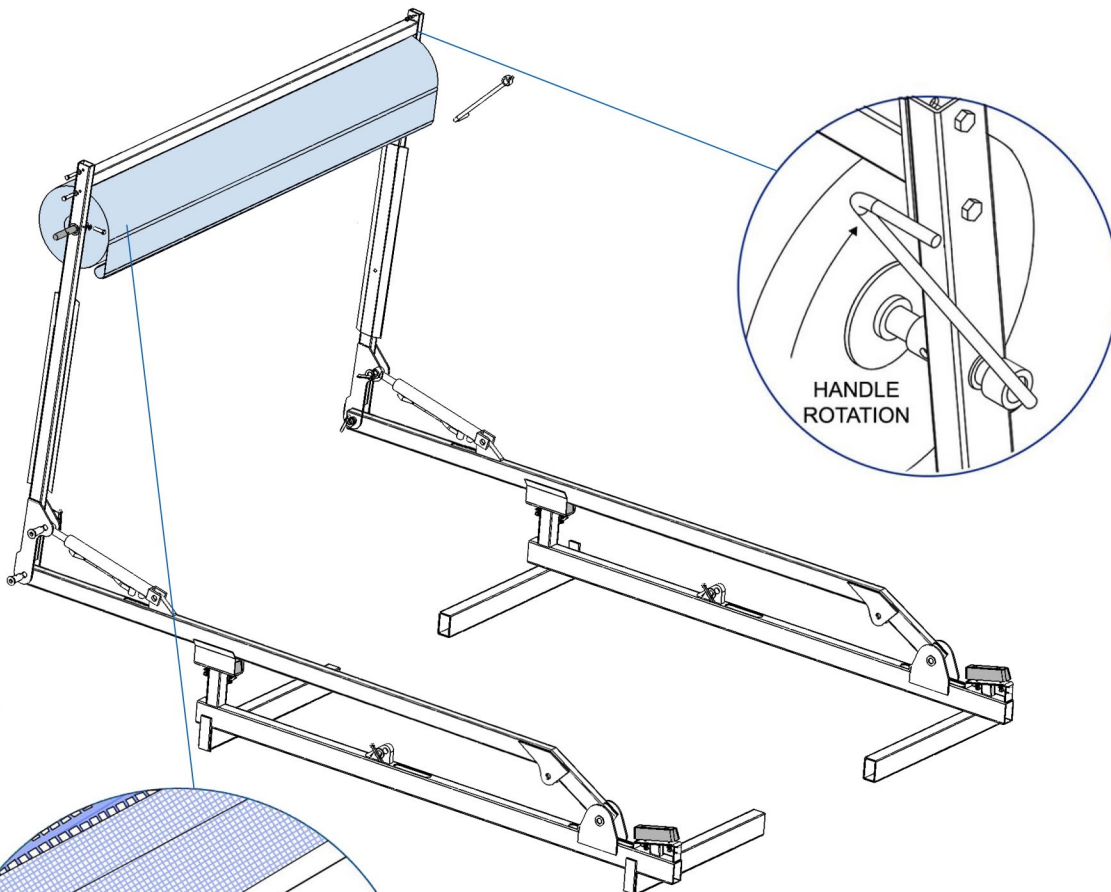
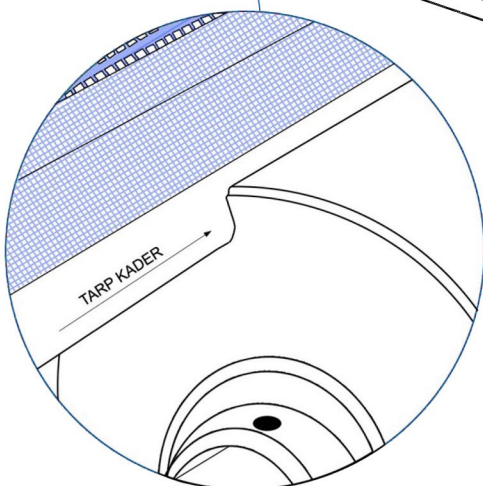


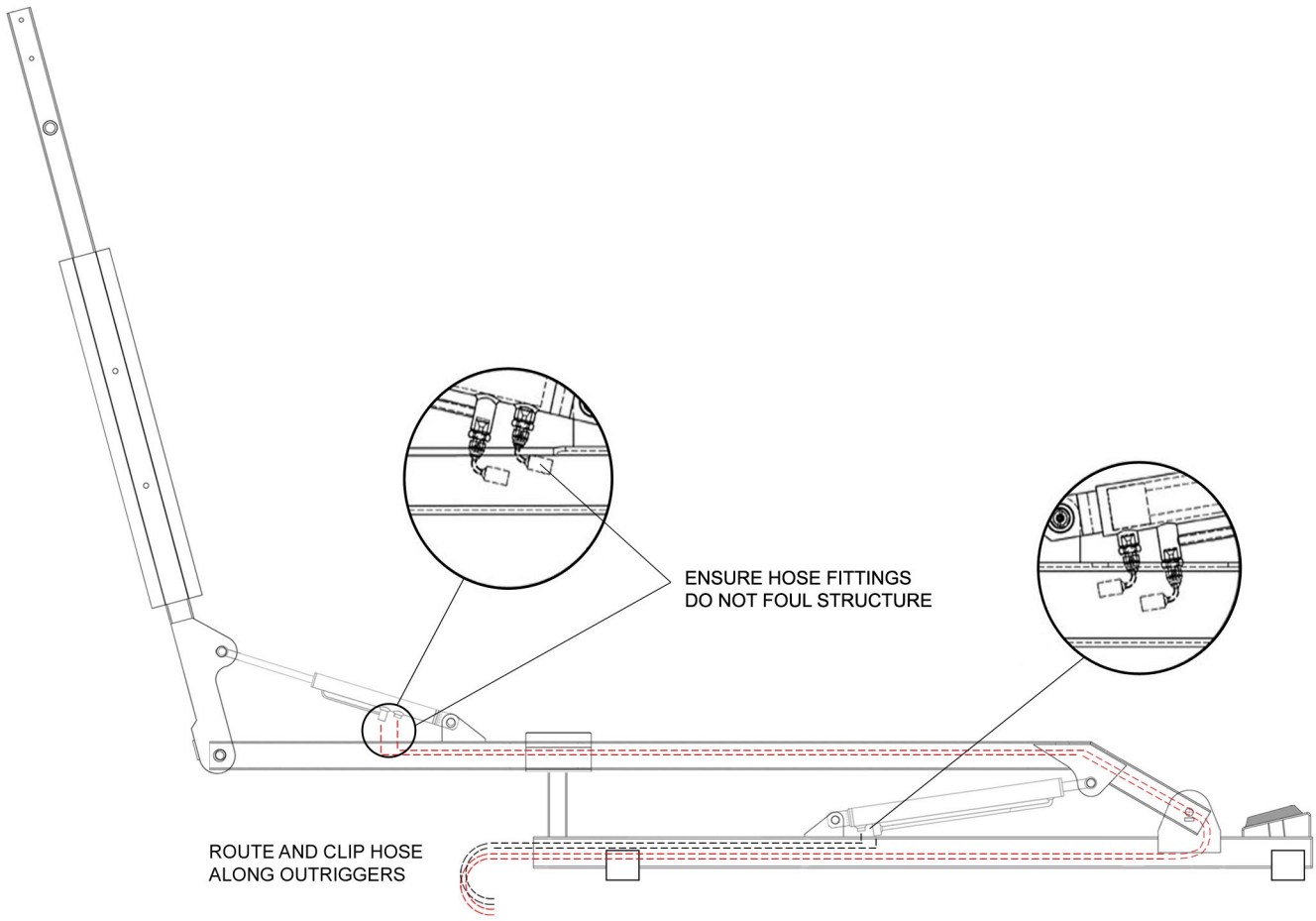
Fig.15



INSTALLING HOSES



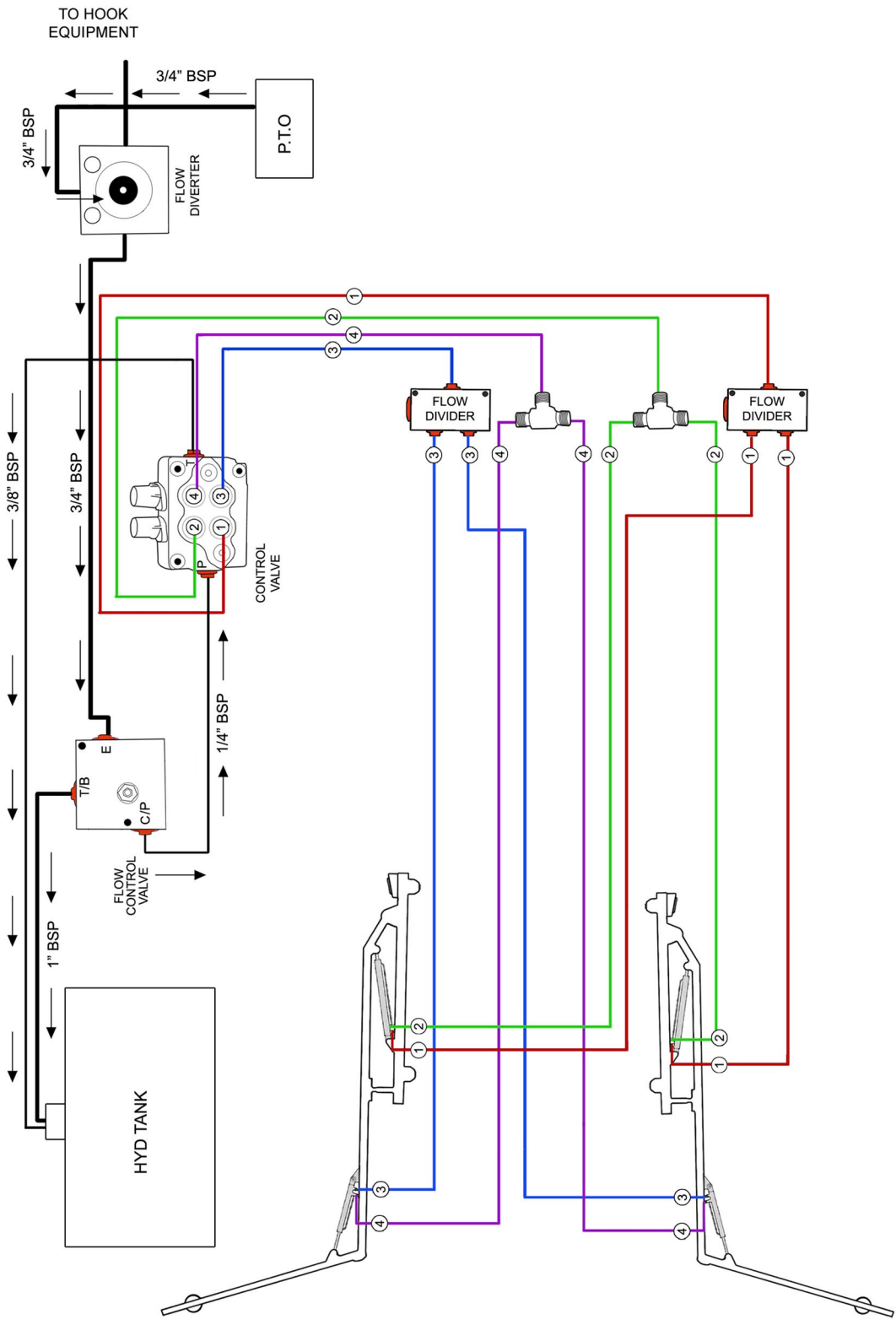
Fig.16



INSTALLING HOSES

- Install hoses as shown below (Fig.17).

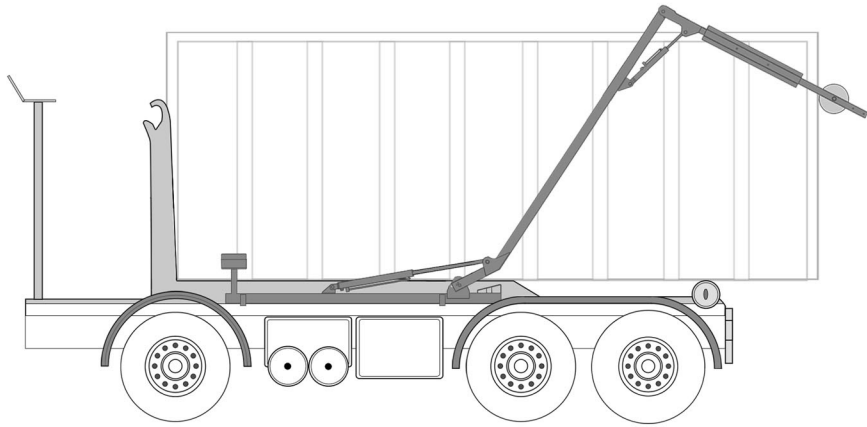
Fig.17



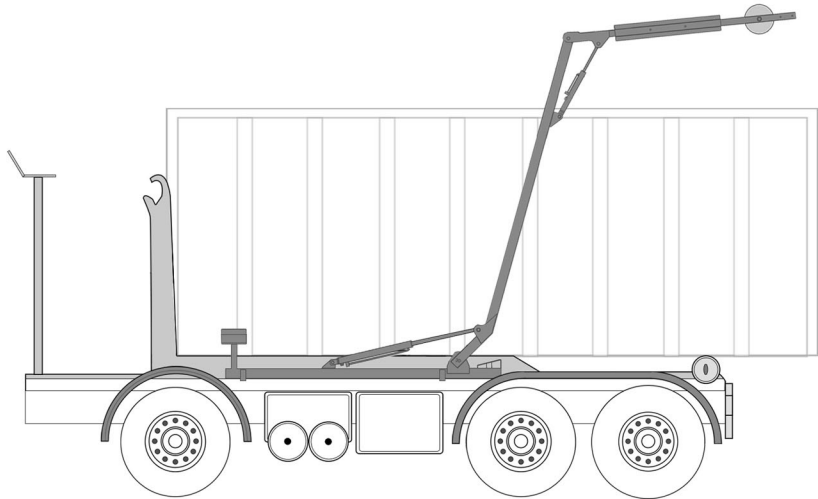
OPERATING INSTRUCTIONS



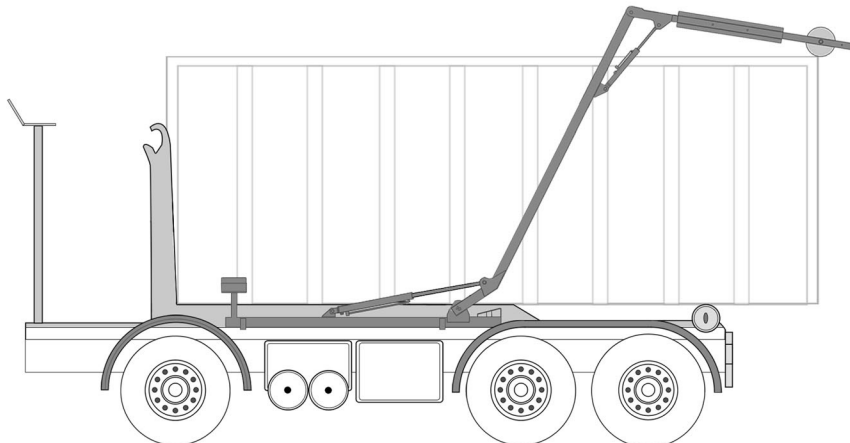
In general, the AutoCover system is a low maintenance system, hence it's popularity. We would like to stress the importance however of preventative maintenance and regular safety inspections.



INCORRECT



INCORRECT



CORRECT



MAINTENANCE

In general, the AutoCover system is a low maintenance system, hence it's popularity. We would like to stress the importance however of preventative maintenance and regular safety inspections.

PRE-SHIFT CHECKS

- Full structural & stability check
 - Inspect all hydraulic and mechanical components
 - Check welds
 - Check the sheet (particularly the seams) and bungee for signs of damage or corrosion
-

MONTHLY CHECKS

- Check all screws & fixings
 - Lubricate all grease nipples
 - Check oil and top up if necessary with clean hydraulic oil
(CAUTION: Dirty oil will contaminate hydraulic valves)
 - Renew and replace damaged components
-

ANNUAL CHECKS

- Complete oil change
- Inspect spring tension and adjust as per fitting instructions
- Renew and replace damaged components

CHANGING THE TARPAULIN

This should be a simple job for 2 people. Please be cautious working at height and ensure that all of the necessary health and safety precautions have been taken.

Please be aware that Transcover tarpaulins are made with all the correct wear points and re-inforced webbing to ensure that the vehicle downtime is kept to a minimum. We also use specialist materials like Supermesh that will help you to keep your vehicles on the road. Should you require a replacement then please contact our parts department on **01622 792006**.

1. Ensure that the tarpaulin is fully wound on the drum and resting in the canopy at the front of the vehicle.
 2. Carefully remove the bolt that secures the rollerbar to the ratchet on the nearside. Please exercise caution and ensure that your hands are not placed in an area that could get damaged if the spring were to unwind. This is simply a precaution as the spring tension should be held by the offside mount.
 3. **IMPORTANT: Read fully before attempting to release tension and exercise caution when dealing with springs.**
Place the crank handle onto the flat sided shaft on the offside of the vehicle and carefully remove tension from the spring ensuring that you maintain a firm grip on the handle at all times. You will now prepare to release the bolt from the offside mounting point, holding tension with the crank handle. Once the bolt has been removed, you will be able to turn the shaft anti-clockwise until all the tension has been released from the roller.
 4. Slide the sheet kadre out from the rollerbar and unbolt the round bar on the canopy to detach the old tarpaulin, then replace and tighten both of the rollerbar mounting point bolts. **IMPORTANT: Ensure that the ratchet bolt has been secured tightly as this is a safety mechanism.**
 5. To fit the new tarp unfold the tarpaulin and lay the sheet on the floor. **IMPORTANT: Ensure the side skirts are underneath and facing downwards as they are designed to drop down during the systems operation.**
 6. Set the arms to the rear of the equipment and slide the kadre end into the recess in the rollerbar and slide the round canopy mount bar into the pocket on the other end of the sheet. Then bolt this bar to the top of the sheet canopy where you will find pre-drilled holes. **IMPORTANT: Make sure that the sheet skirts are on the underside of the sheet otherwise you will not be able to retract them when used.**
- Operate the system as if uncovering so that the rollerbar stops approximately 1 foot above where its natural uncovered travelling position will be (careful not to foul the sheet). Then carefully remove the bolt on the offside mounting point only to allow you to add tension. **IMPORTANT: Do not remove the bolt on the ratchet side of the rollerbar.**
8. Carefully rotate the handle in a clockwise direction. This should begin to roll the sheet around the rollerbar. Please ensure that the sheet is aligned correctly throughout this process. Once the sheet is completely rolled around the rollerbar, add five more turns carefully ensuring that you maintain a secure hold on the crank handle throughout. **IMPORTANT: Exercise caution when removing the crank handle as the spring tension may release if the safety ratchet is damaged or not working correctly.**

Operate the equipment so that the lower arms are in their natural positions.

9.

FAULT DIAGNOSIS

Call Transcover on 01622 792006

We had included a small number of issues below that may offer some diagnostic help however please do not hesitate to contact us as this often saves time.

Arms will not extend/retract

- Low oil pressure, possibly leaking oil. Check complete system for leaks.

Tarpaulin fails to roll up

- Ensure tarpaulin is in good condition as a damaged sheet will often not roll in straight and snag
- Keep bungee to a minimum - excessive amounts will snag
- Insufficient roller tension. Add tension as in 'changing the tarpaulin'.

Complete system failure

- Check electrical connection if using independent pump
- Ensure diverter valve is selected
- Check oil supply, level and pressure

WARRANTY PROCEDURE

COVER

- All Transcover products are covered by a standard **12 month** replacement warranty.
- Sheets are covered by a **3 month** workmanship warranty.

PLEASE BE READY TO TELL US

- **IMPORTANT: The serial number on the Transcover Warranty Plate. (This should be fixed to the equipment tower).**
- If possible, the circumstance in which the product stopped operating correctly.
- Details of the installer/ equipment manufacturer where possible.

RESPONSE

- Transcover recognise the importance of having your truck on the road working and as such will operate as swiftly as possible to avoid vehicle down time.
- Transcover will despatch stocked spares within 48 hours following receipt of any warranty serial number.
- In the event that attendance is required Transcover operate using a network of over 40 National agents and our own small fleet of onsite attendance engineers.

PLEASE BE AWARE

- In some circumstances Transcover may request that photographs are emailed to us in order to help us diagnose any issues you may be having.
- We may wish to speak directly to the operator to ascertain the exact circumstances of any failure.

WHAT WE WILL NOT COVER

- The warranty from Transcover is linked directly to the warranty plate supplied with the kit to the fitting agent. This information is required for any warranty claim.
- In the event that products returned do not match those supplied with the initial delivery the claimant will be responsible for all replacement parts, delivery, collection and service costs.
- Warranty replacements supplied on the proviso that the parts that they are replacing are returned to Transcover, Unit 1 & 2, The Mill, St Michaels Close, Aylesford, Kent. ME20 7XE within 10 working days as stated on the Goods Out Document. Should parts not be returned to Transcover within this period the customer is liable for costs of any replacement goods or services and will be invoiced accordingly.
- Transcover's liability extends only as far as to the value of the product supplied.
- Transcover will not accept responsibility for any consequential losses. (For example loss of work, vehicle hire, or carried materials etc).
- Transcover will not be responsible for any costs authorised independently or carried out without prior authorisation from Transcover in the form of an official order number.
- All issued order numbers are limited to a single £34 per hour charge unless authorisation for additional labour costs has been sought and agreed in writing.
- Transcover will not cover any costs resulting from misuse or failure to maintain equipment in accordance with our instructions.
- In the event of failure of a component please contact Transcover for a replacement as tampering with goods without authorisation in writing may void your warranty.
- Transcover can not be held responsible for any acts or omissions of third parties.
- Transcover cannot accept responsibility for the carriage of goods once they have been despatched.

All details and information above is subject to our Terms and Conditions which are available on request.

